

4

3

2

1

D

D

C

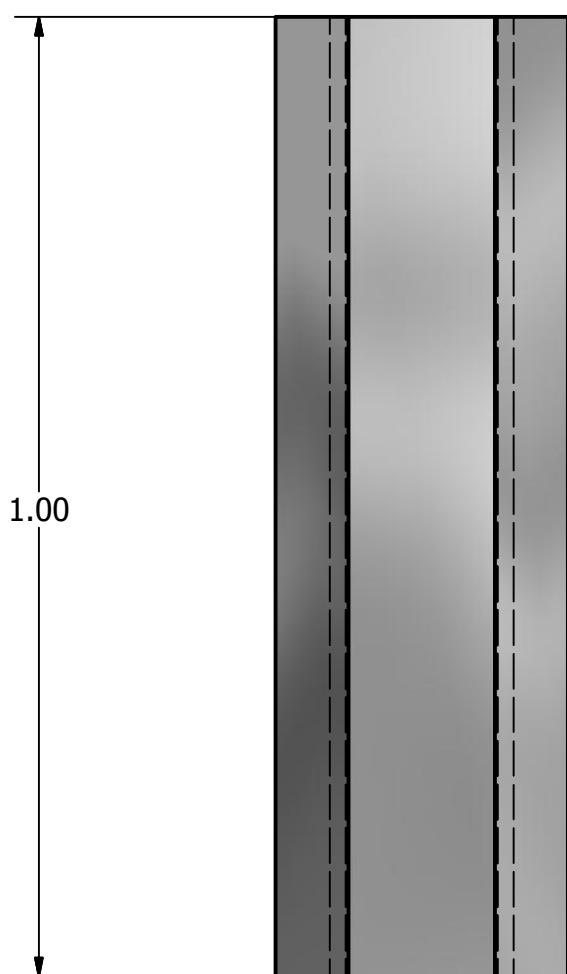
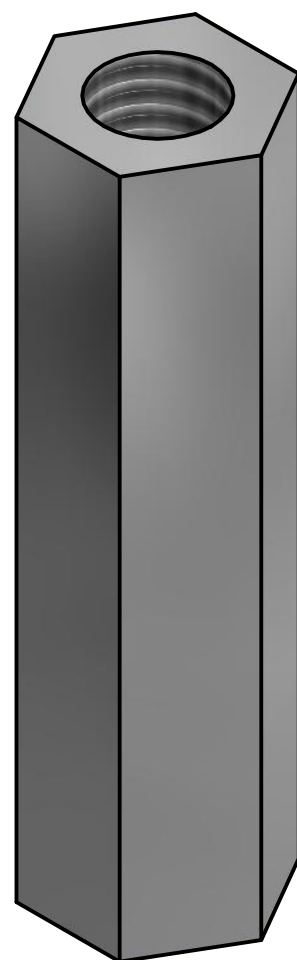
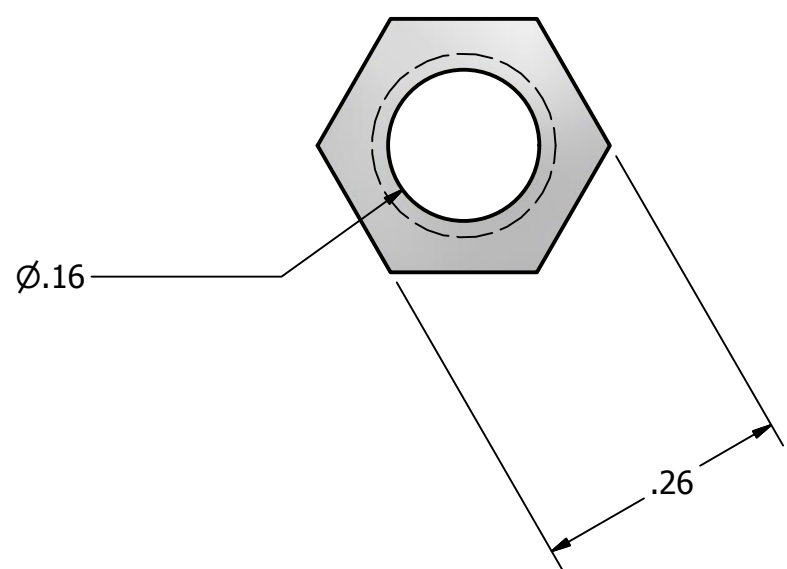
C

B

B

A

A



DRAWN Richard	1/11/2014			
CHECKED		TITLE		
QA				
MFG				
APPROVED				
		SIZE C	DWG NO 1 in Support	REV
		SCALE		SHEET 1 OF 1

4

3

2

1

4