

4

3

2

1

D

D

C

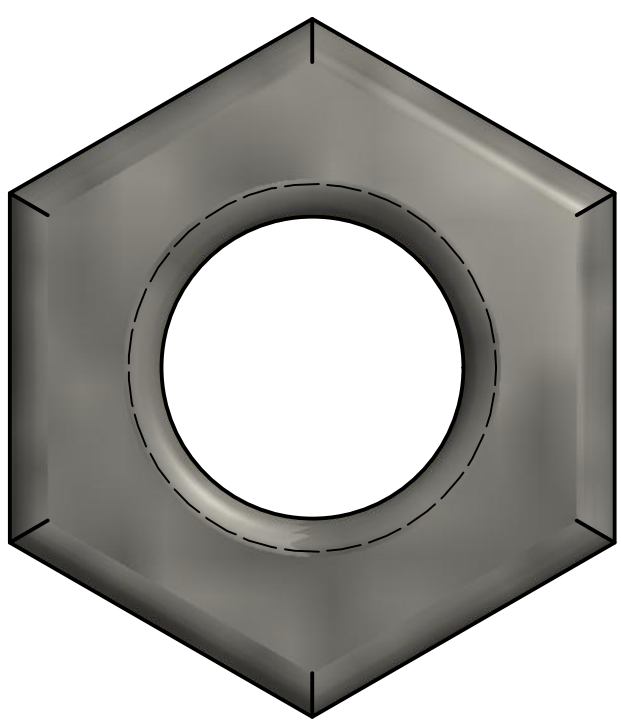
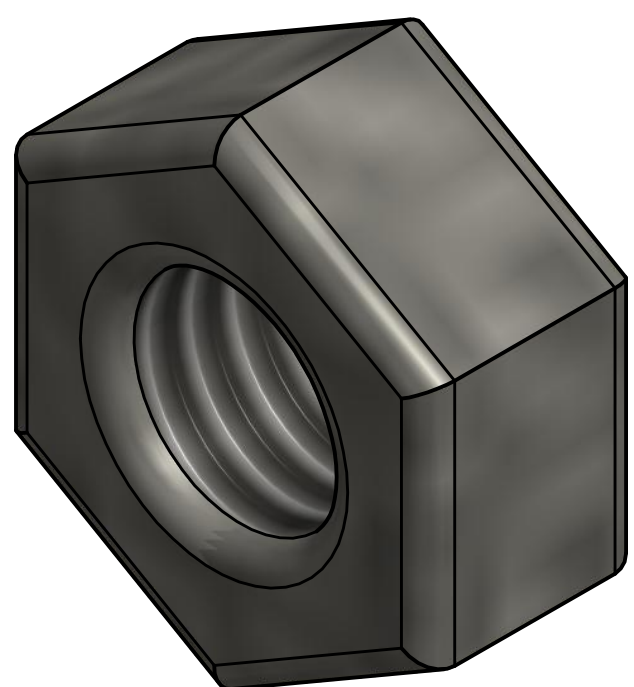
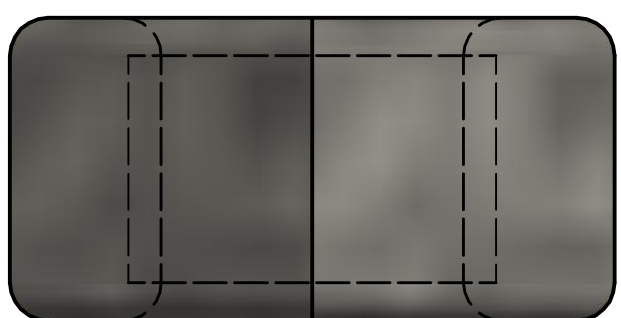
C

B

B

A

A



DRAWN Richard	1/27/2014	TITLE		
CHECKED				
QA				
MFG				
APPROVED		SIZE C	DWG NO 2 mm Nut	REV
		SCALE		SHEET 1 OF 1

4

3

2

1

