

4

3

2

1

D

D

C

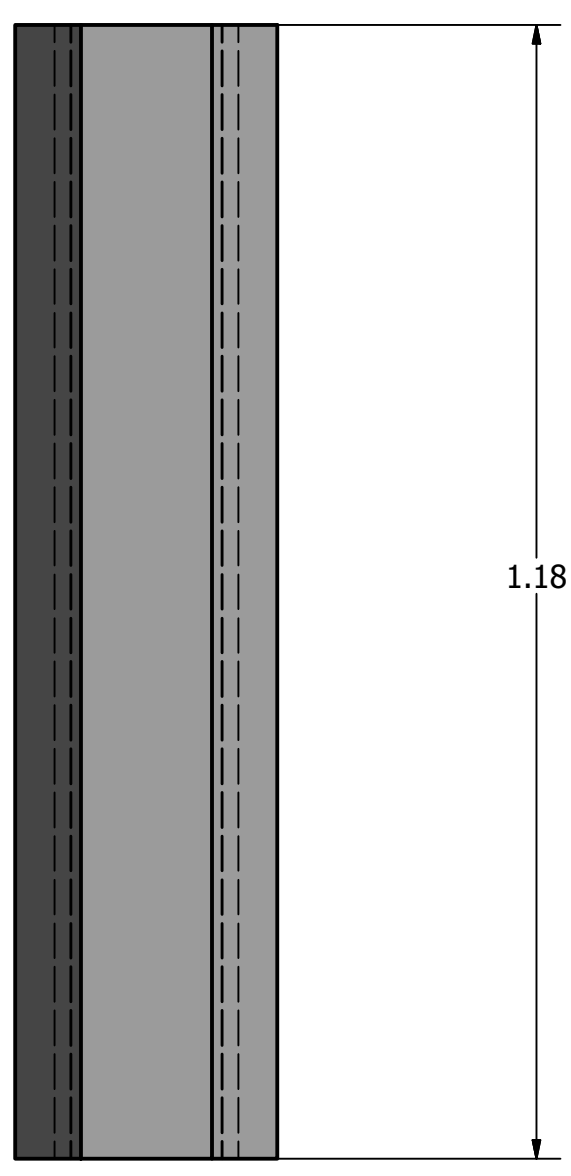
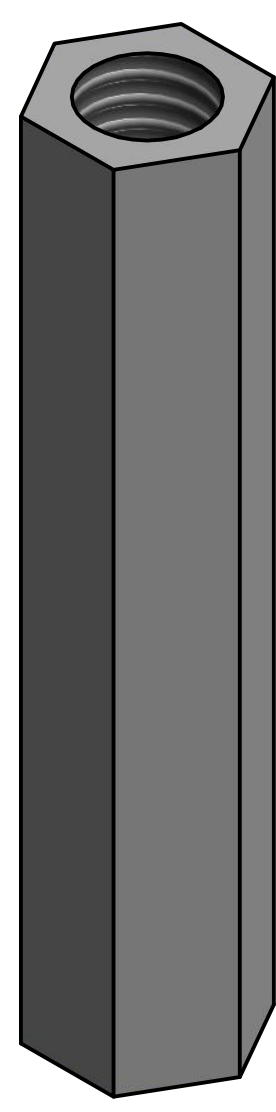
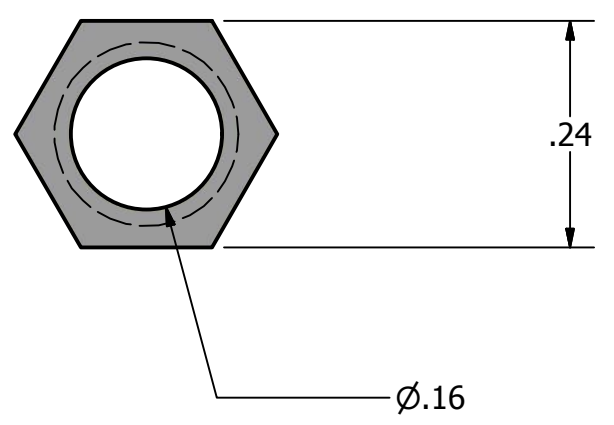
C

B

B

A

A



| | | | | |
|------------------|-----------|-----------|--------------------------|-----|
| DRAWN Richard | 1/11/2014 | TITLE | | |
| CHECKED | | | | |
| QA | | | | |
| MFG | | | | |
| APPROVED | | SIZE C | DWG NO 30 mm Standoff | REV |
| | | SCALE | SHEET 1 OF 1 | |

4

3

2

1

