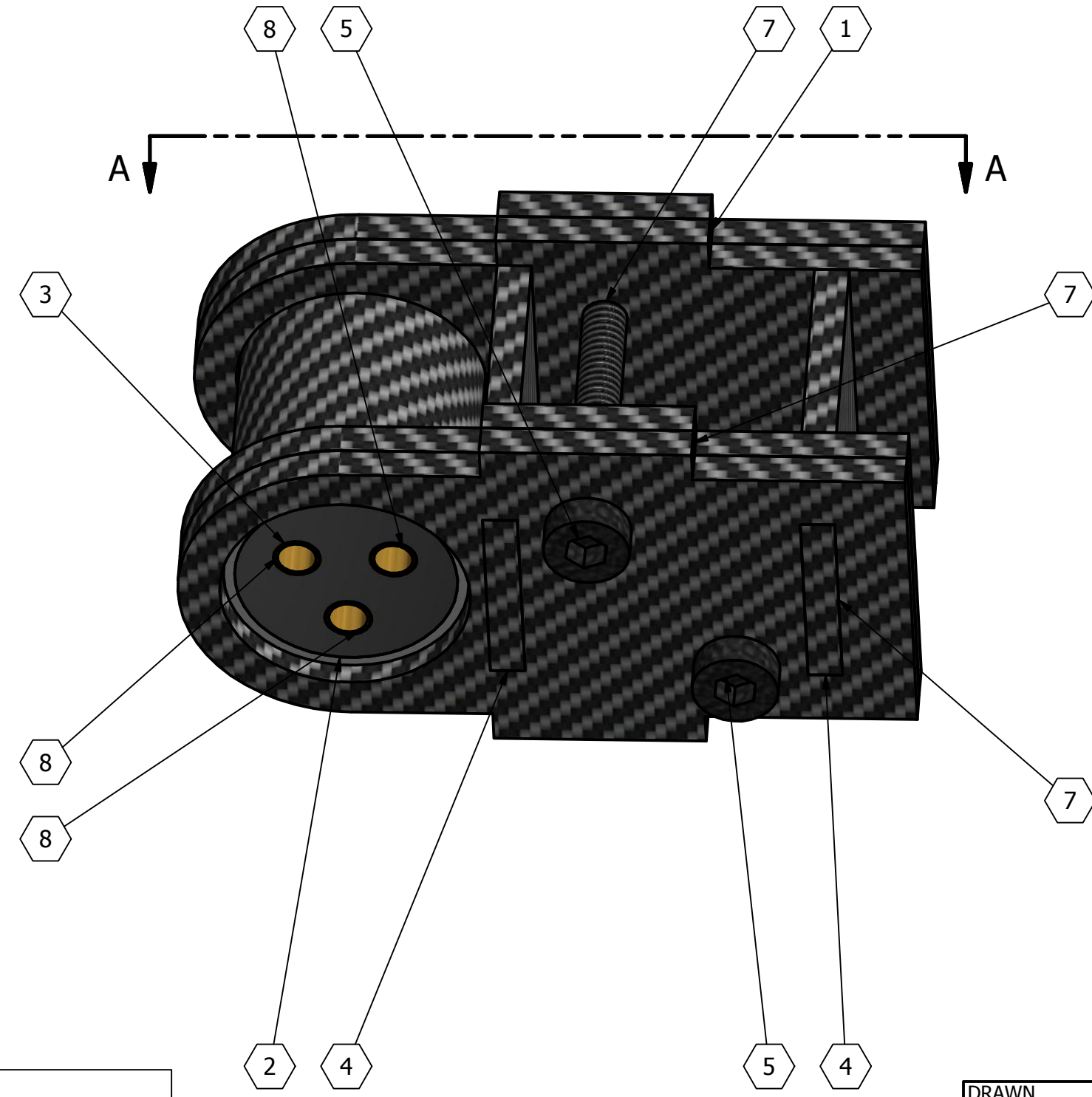
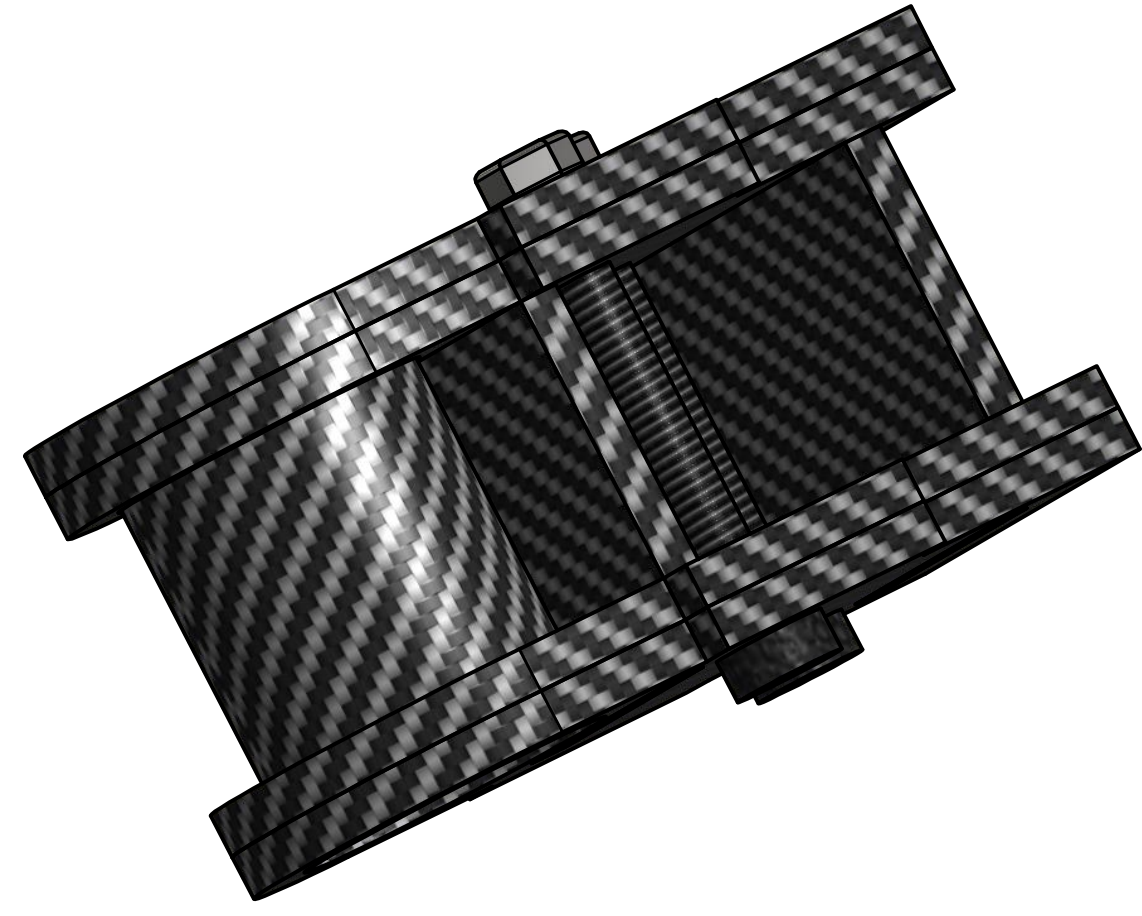


VIEW A-A  
SCALE 2 : 1



PARTS LIST			
ITEM	QTY	PART NUMBER	DESCRIPTION
1	1	Socket Holder Back Plate	Student Design
2	1	22 mm x 28 mm CF Tube	Student Design
3	1	Arm Plug	Student Design
4	2	Socket Support Brace	Student Design
5	2	4 x35 mm Hex Screw	Purchase
6	2	4 mm Hex nut	Purchase
7	3	Socket Support	Student Design
8	3	3.5 mm Female Bullet	Purchase

DRAWN Richard	1/11/2014	TITLE		
CHECKED				
QA				
MFG				
APPROVED		SIZE C	DWG NO	REV
		Arm Socket Assembly		
		SCALE	SHEET 1 OF 1	