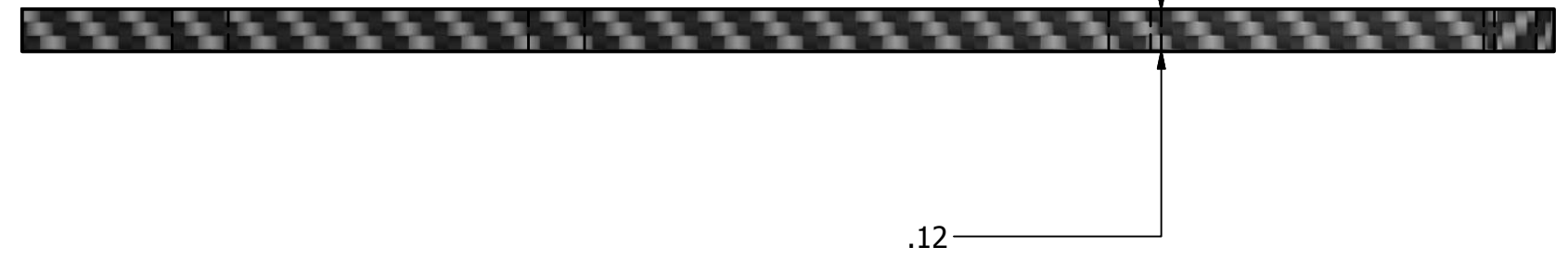
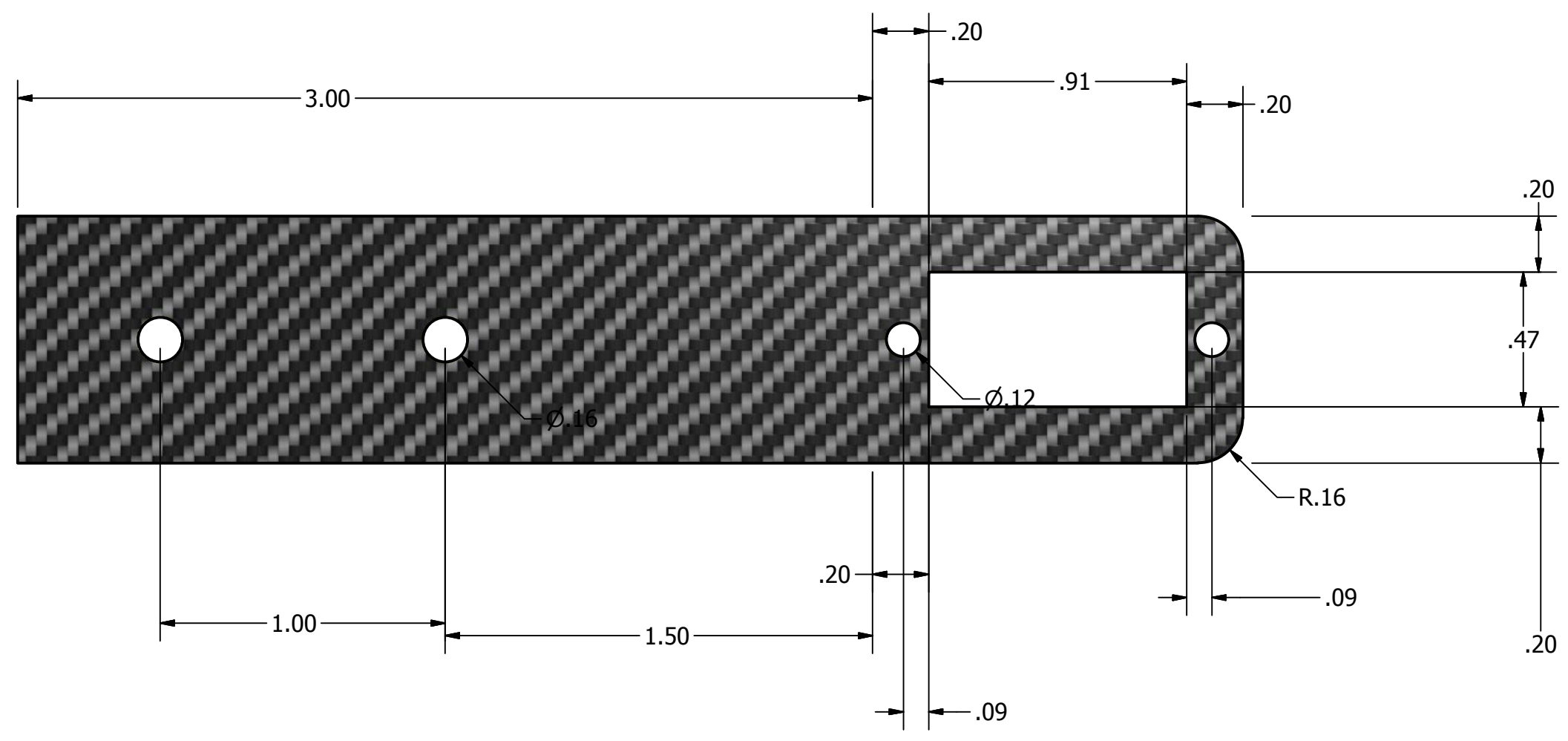


4 3 2 1

D



C



B

B

A

DRAWN Richard	1/23/2014			
CHECKED		TITLE		
QA				
MFG				
APPROVED				
		SIZE C	DWG NO Camera Mount	REV
		SCALE	SHEET 1 OF 1	

4 3 2 1