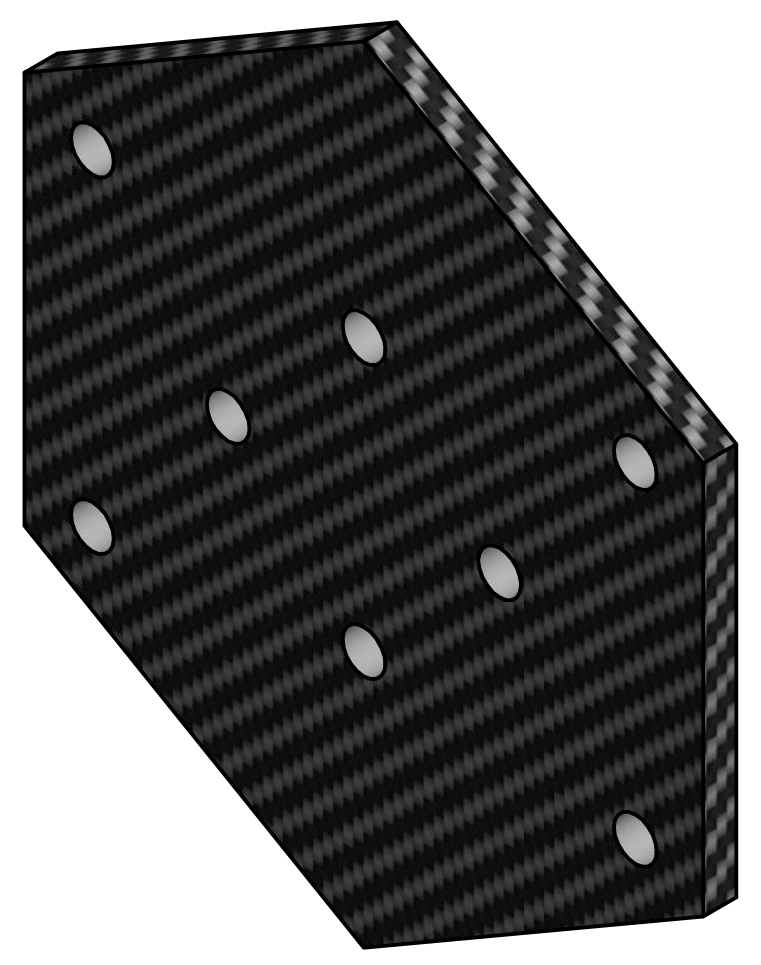
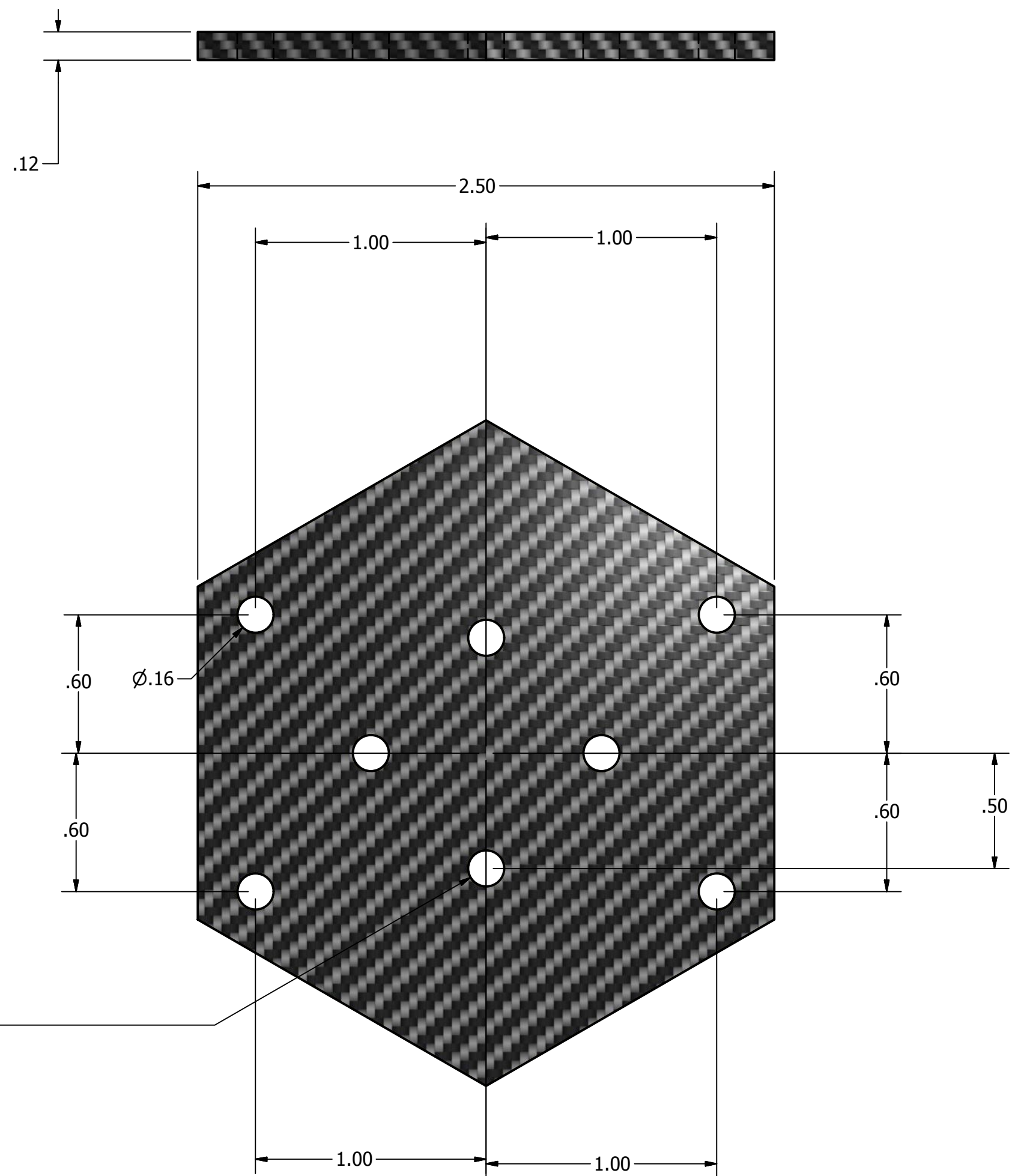


4 3 2 1

D  
C  
B  
A



D  
C  
B  
A

4 3 2 1

DRAWN Richard	1/11/2014	TITLE		
CHECKED				
QA				
MFG				
APPROVED		SIZE C	DWG NO GPS - Support	REV
		SCALE	SHEET 1 OF 1	