

4

3

2

1

D

D

C

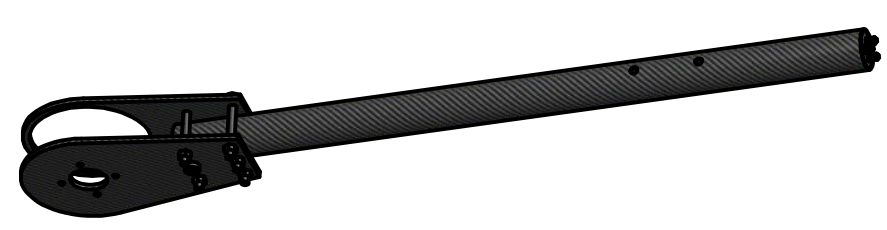
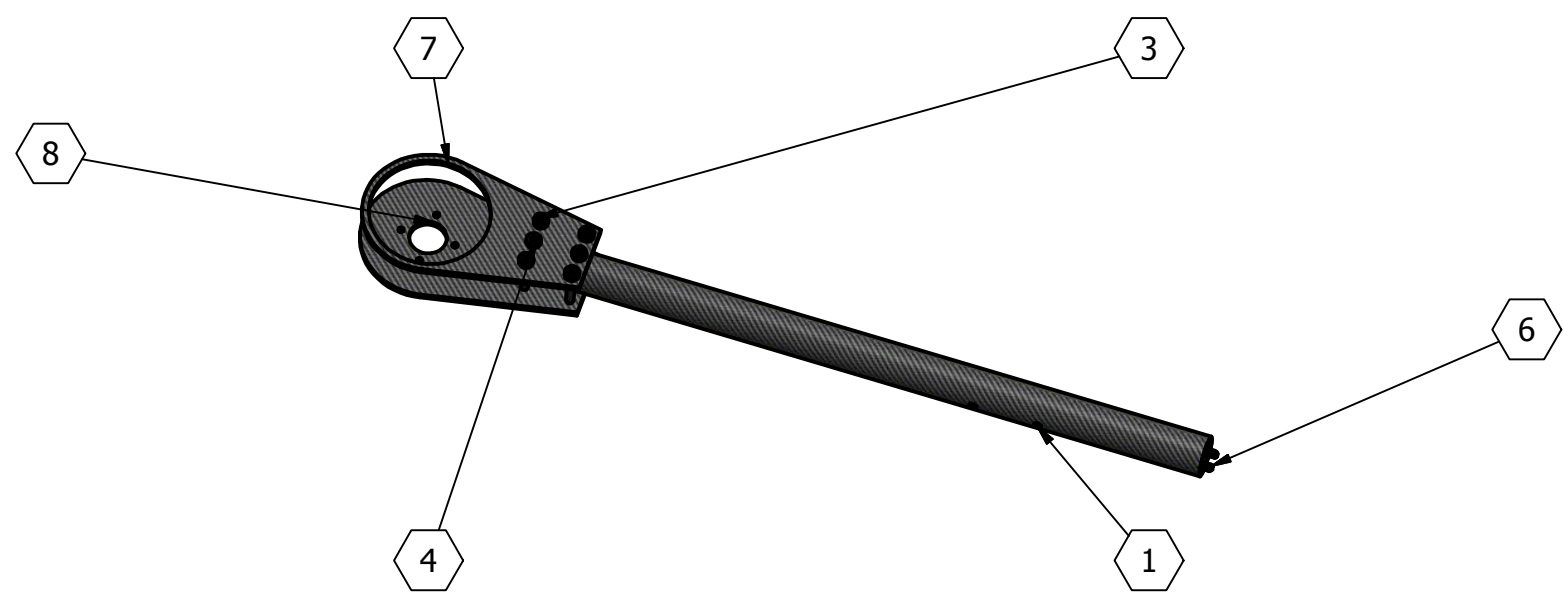
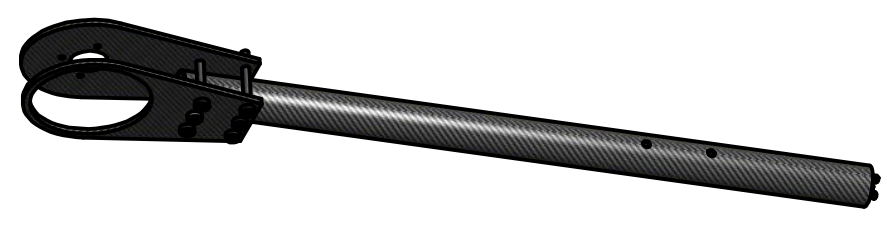
C

B

B

A

A



PARTS LIST			
ITEM	QTY	PART NUMBER	DESCRIPTION
1	1	383 x 22 mm CF Tube	Purchased
2	1	Motor to ESC Connector Female	Assembly
3	5	4 x35 mm Hex Screw	Purchased
4	2	4 x 10 mm screw	Purchased
5	5	4 mm Hex nut	Purchased
6	1	Motor to ESC Connector Male	Assembly
7	1	U7 Motor Mount Top	Student Design
8	1	U7 Motor Mount Bottom	Student Design

DRAWN Richard	1/9/2014	TITLE Motor Arm Plug Assembly		
CHECKED				
QA				
MFG				
APPROVED		SIZE C	DWG NO Motor Arm Plug Assembly	REV
		SCALE	SHEET 1 OF 1	