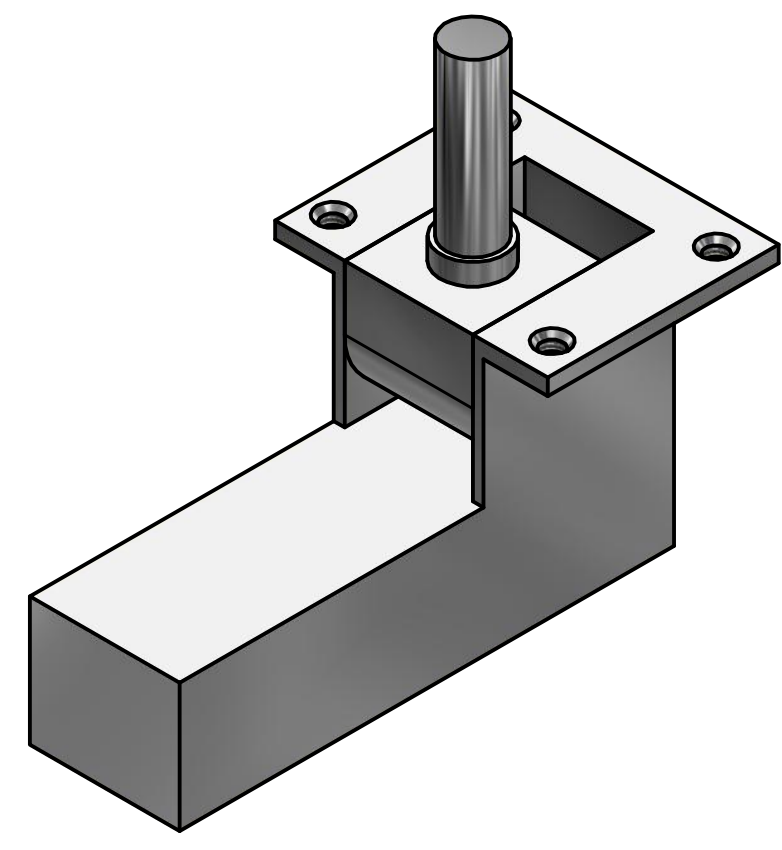
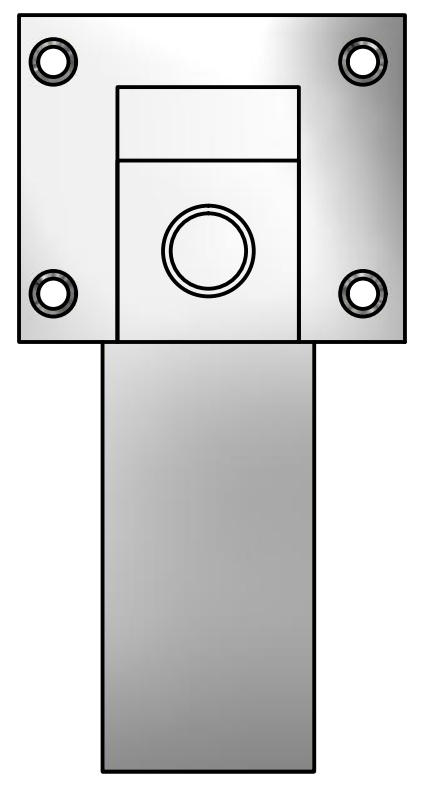


4 3 2 1

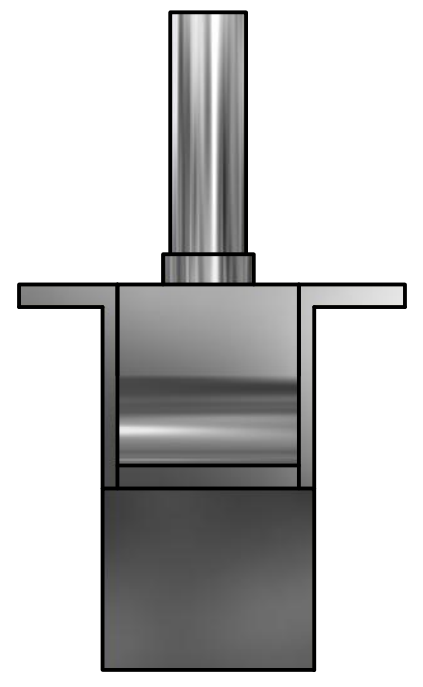
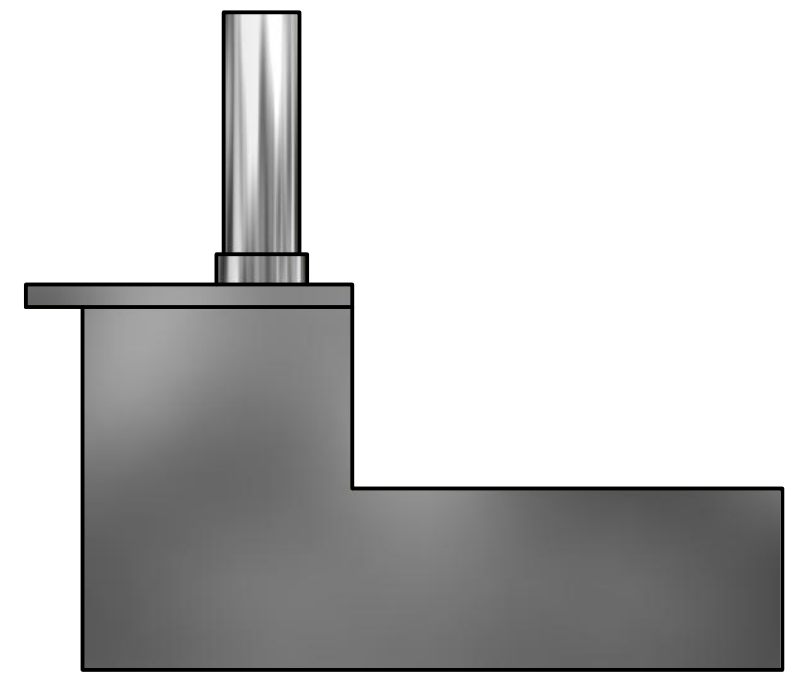
D

D



C

C



B

B

A

A

4 3 2 1

DRAWN Richard	1/13/2014	TITLE		
CHECKED				
QA				
MFG				
APPROVED		SIZE C	DWG NO Retract Unit Assembly	REV
		SCALE	SHEET 1 OF 1	