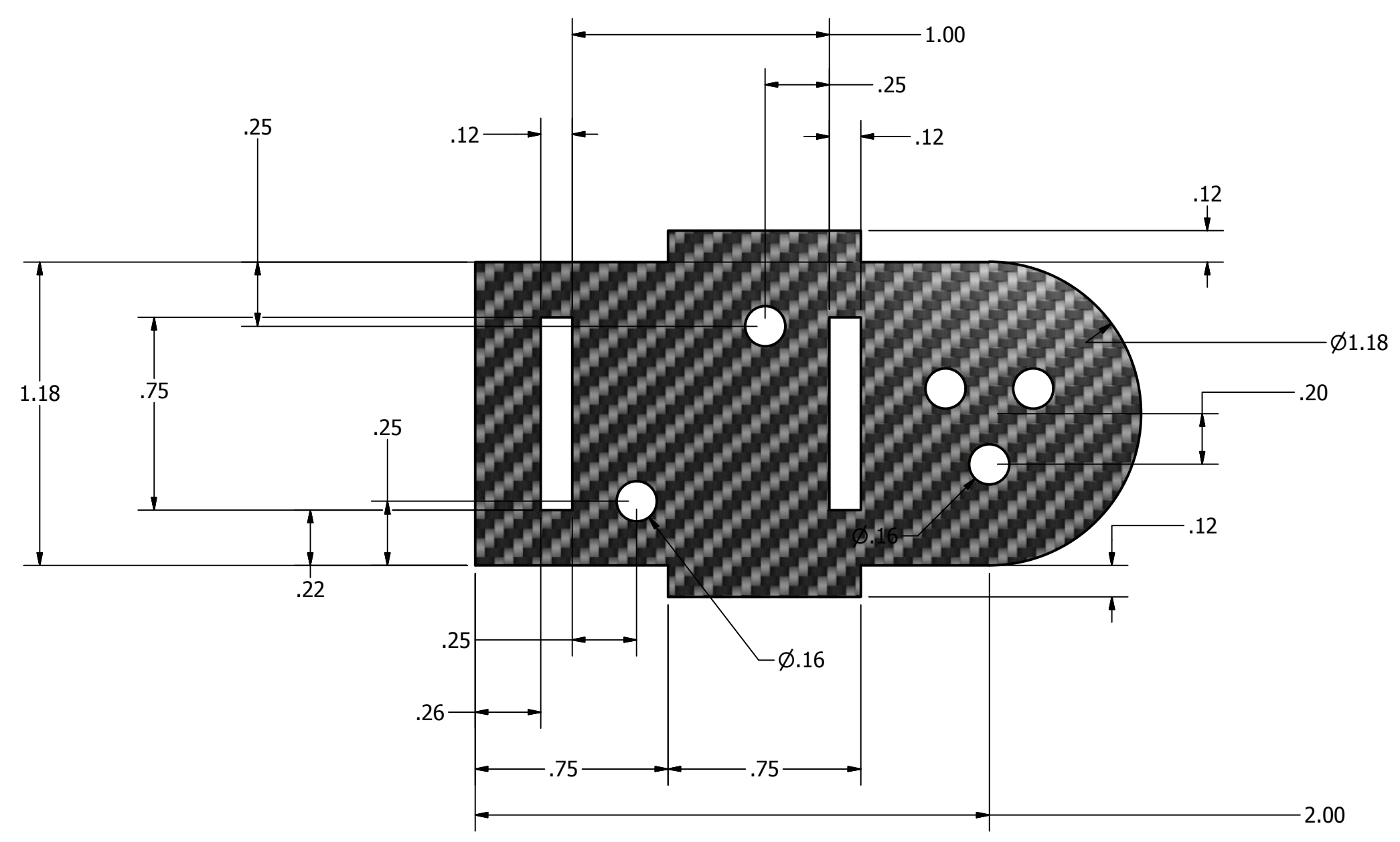


4 3 2 1

D
C
B
A



DRAWN Richard	1/10/2014	TITLE		
CHECKED		TITLE		
QA		TITLE		
MFG		TITLE		
APPROVED		TITLE		
		SIZE C	DWG NO	REV
		SCALE	Socket Holder Back Plate	
				SHEET 1 OF 1

4 3 2 1

D
C
B
A