

4

3

2

1

D

D

C

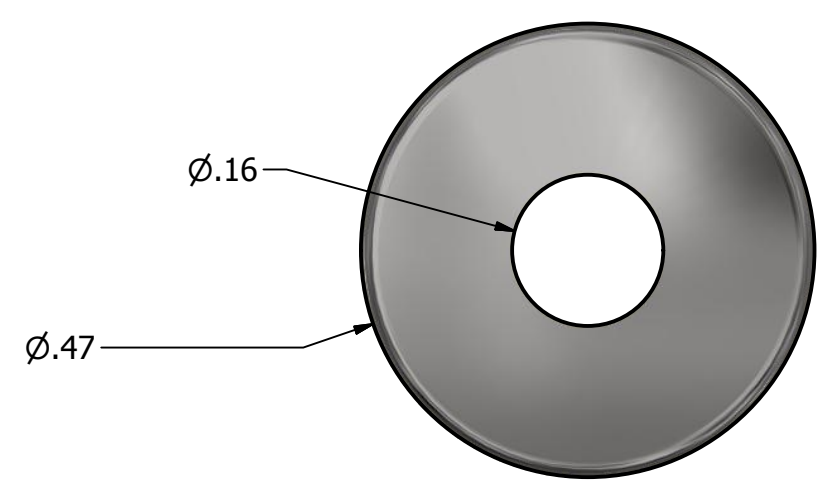
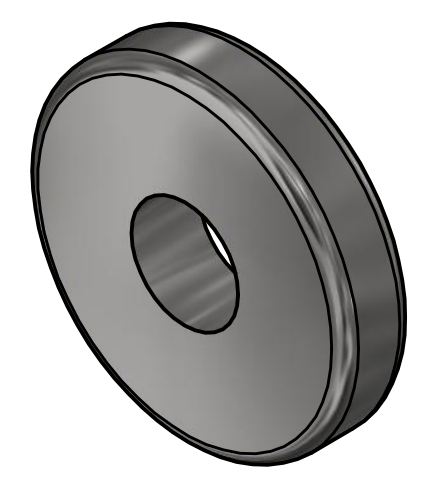
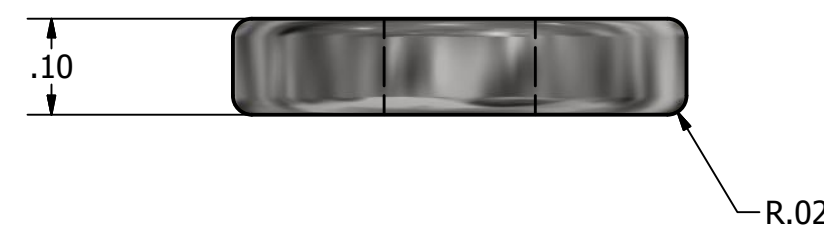
C

B

B

A

A



DRAWN Richard	1/11/2014	TITLE		
CHECKED				
QA				
MFG				
APPROVED		SIZE C	DWG NO	REV
		SCALE	Stainless 4 mm x 12 mm washer	
			SHEET 1 OF 1	

4

3

2

1

